

# FG350-TO66FW110 Power Pack, 350nm

## FEATURES AND APPLICATIONS

- Deep UV wavelength, highly consistent
- HVPE epitaxy process, patent protected, unique in the industry
- UV lamps for medical/biomedical uses, sensors, and scientific applications

## SPECIFICATIONS

### Absolute Maximum Rating (Ta = 25°C)

Item	Symbol	Maximum Rating	Unit
DC Forward Current	$I_f$	300	mA
Reverse Voltage	$V_r$	25	V
Operating Temperature	$T_{opr}$	-20 to +80	°C
Storage Temperature	$T_{stg}$	-40 to +100	°C

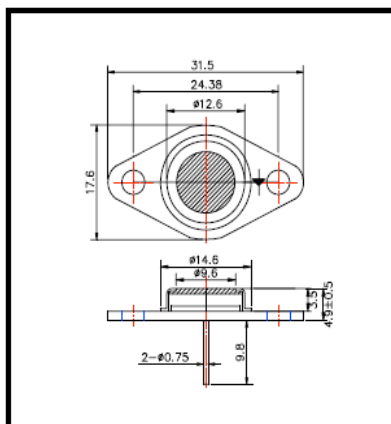
### Optical and Electrical Characteristics (Ta = 25°C)

Item	Symbol	Condition	Min	Typ.	Max	unit
Forward Voltage	$V_f$	$I_f=240mA$	18	20	25	V
Reverse Current	$I_r$	$V_r=5V$	-	-	100	$\mu A$
Peak Wavelength	$\lambda_p$	$I_f=240mA$	350	351	353	nm
Viewing Angle		$I_f=240mA$	-	110	-	deg.
Output Power/Flux	$P_o$	$I_f=240mA$	10	15	18	mW

Heat sink required for thermal management, 8°K/Watt

## Lamp Description (typical)

◆ Outer dimension(Unit:mm)



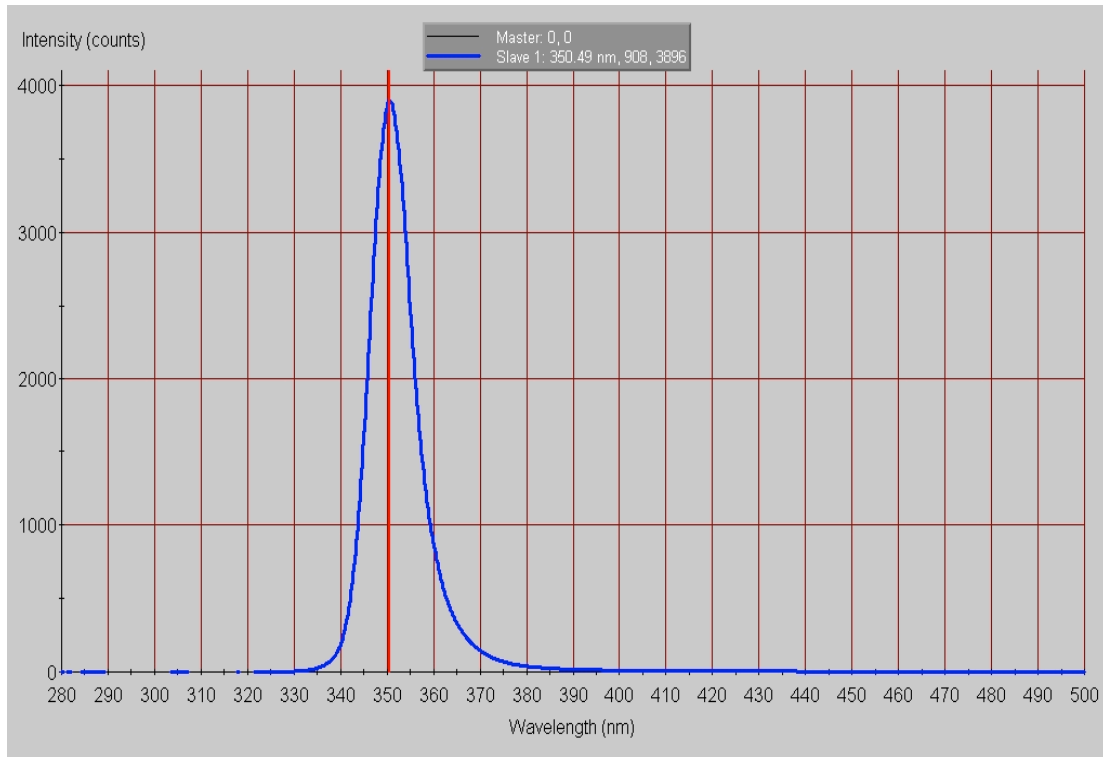
- TO-66 package, UV resistant, water clear epoxy encapsulant
- Circuit: 12 parallel strings of 5 dies in series, or equivalent

Rev C, Jan. 2014

# FG350-TO66FW110 Power Pack, 350nm



## Typical Spectrum



## Warnings and Handling Instructions

- **UV LEDs emit intense but mainly invisible ultraviolet radiation when in operation, which may be harmful to eyes, even for brief periods.**
- **\* DO NOT LOOK DIRECTLY INTO THE UV LED DURING OPERATION \***
- **\* BE SURE THAT YOU AND ALL PERSONS IN THE VICINITY WEAR SAFETY GOGGLES THAT PROVIDE SUITABLE UV PROTECTION WHEN A UV LED IS OPERATING \***
- **\* KEEP CHILDREN AWAY FROM THE OPERATING VICINITY \***
- **\* KEEP UV LEDs OUT OF THE REACH OF CHILDREN \***
- **If you incorporate a UV LED into a product, be sure to provide appropriate cautionary labels and instructions.**
- **Please follow all standard procedures for storing, handling, cleaning, mounting, soldering, disposal, or otherwise handling LED dies or packaged LEDs, including static electricity protection.**

Rev C, Jan. 2014

The Fox Group, Inc.  
54 Jennie Dade Lane Sperryville VA 22740  
Tel: (540) 987-8271 Fax: (540) 987-9444 sales@thefoxgroupinc.com