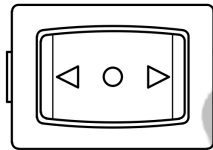
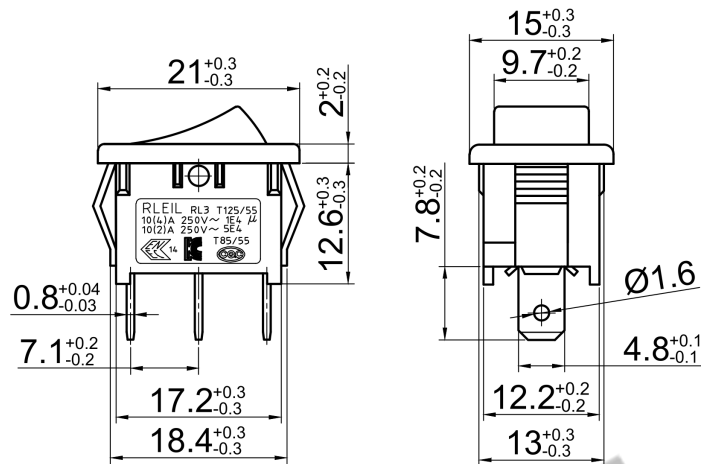
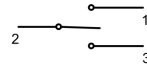


### CIRCUIT DIAGRAM

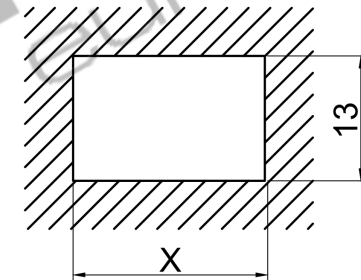


## SPECIFICATION

- RATING: UL C-UL:16A 125VAC  
ENEC KC CQC:  
10(4)A 250VAC T125/55 1E4  
10(2)A 250VAC T85/55 5E4
- CIRCUIT: ON-OFF-ON SPDT 3P
- CONTACT RESISTANCE: 30m OHMS Max
- INSULATION RESISTANCE: DC500V 100M OHMS Min
- WITHSTAND VOLTAGE: AC 1500V 1 Minute
- ELECTRICAL LIFE: 10000 Cycles at Full Load
- OPERATION FORCE: 300~800gf
- OPERATION TEMPERATURE RANGE: -25~+125° C

## PANEL HOLE SIZE

Panel thickness	X
0.75-1.25	19.2
1.25-2.0	19.4
2.0-3.0	19.6



## MATERIALS

- HOUSING: Nylon #66 UL 94V-2
- ROCKER: Nylon #66 UL 94V-2
- TERMINAL: Copper Alloy Ag plated
- CONTACTOR: AgSnO<sub>2</sub>In<sub>2</sub>O<sub>3</sub> (10) /Cu



RL-31-13-H-28-BK/BK-P4-0

TITLE

ROCKER SWITCH

IEWS TYPE



SERIES

RL3

FUNCTION

ON-OFF-ON

07-10-2025