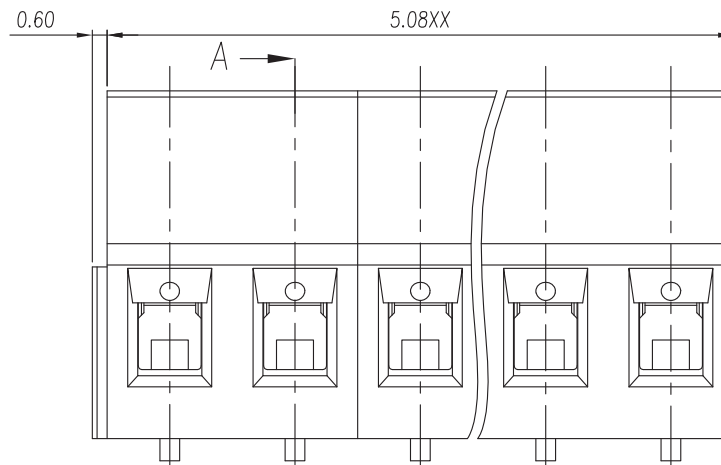
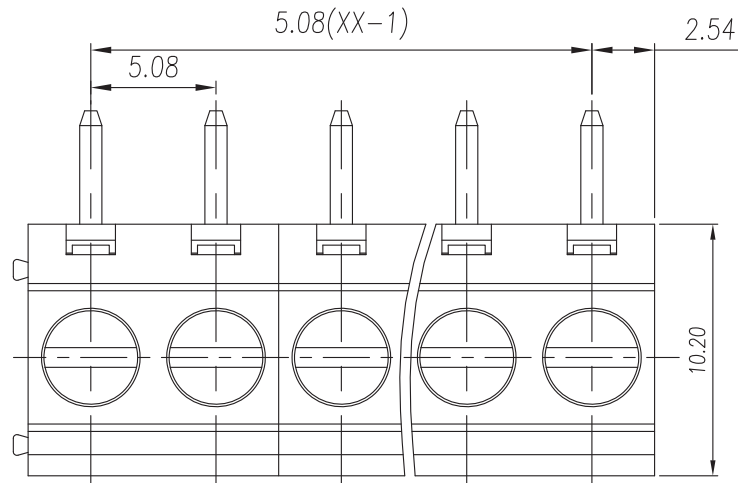
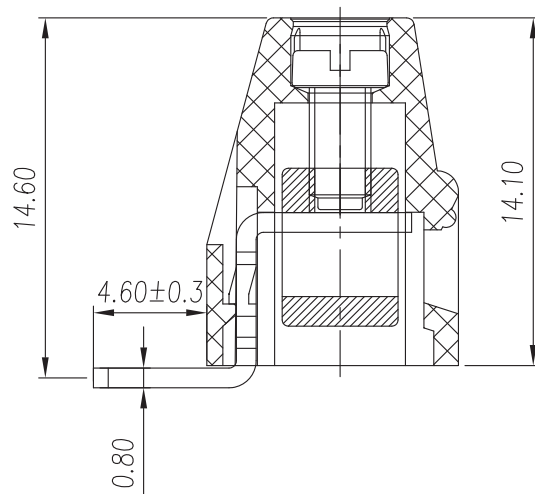


**P.C.B. LAYOUT**



**Approvals**



10A - 300V



**Electrical**

Rated voltage 250V  
 Rated current 18A  
 Contact resistance 20Ω  
 Insulation resistance 500MΩ/DC500V  
 Withstanding voltage AC2000V/1 min  
 Wire range 2,5mm2 22÷12 AWG

Torque 0,4Nm (3,6 Lb in)  
 Temp. Range -40°C + 105°C  
 Stripping length 6 mm  
 Max sold. time +250°C for 5 sec.

**Dimensions**

Pitch 5.08 mm  
 Poles 2÷24

**Material**

Housing PA66 UL94V0  
 Pin Brass, tin plated  
 Cage Brass, tin plated  
 Screws M2.5, Steel, Zn plated  
 Side Block ---  
 Nut screw ---  
 Clamp ---

**General description of ordering code**

Series	n. Poles	Pitch	Version	Color	Custom
MRS52	2÷24	-5.08	-H		

**Version Date**

18/01 09/07/18



**euro-block**



**UNITS:** mm

**SHEET SIZE:** ISO A4

**SCALE:** 7:2

> 0 ~ 3

> 3 ~ 18

> 18 ~ 50

> 50 ~ 120

± 0.12

± 0.15

± 0.3

± 0.5



First angle projection

**MRS52-5.08-H**