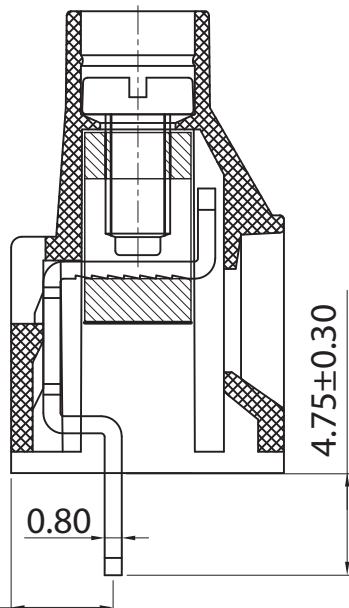
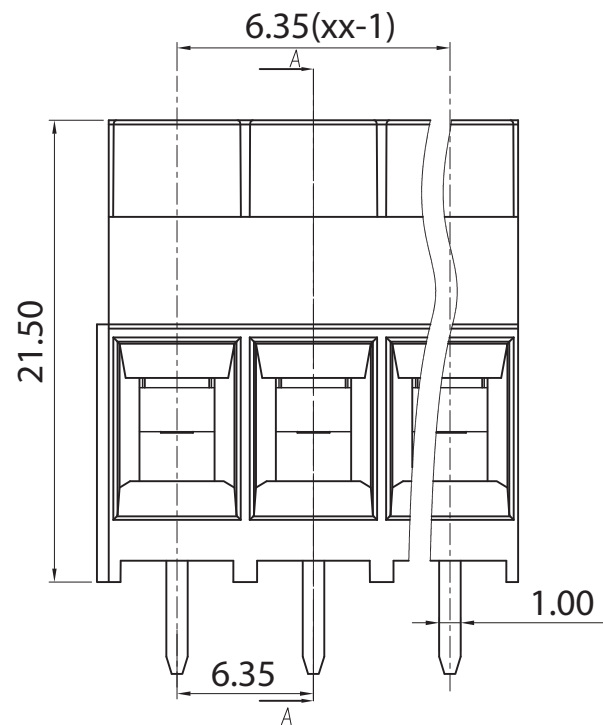
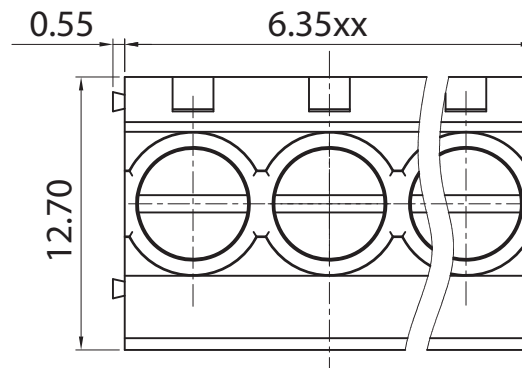


p.c.b. layout



SECTION: A-A

**Approvals**



30A-300V

**Electrical**

Rated voltage IEC 400V  
 Rated current IEC 32A  
 Contact resistance 20mΩ  
 Insulation resistance 500MΩ/DC500V  
 Withstanding voltage AC2000V/1 min  
 Wire range 26-10AWG 4mm2

Torque 0,5Nm(4.4Lbin)  
 Temp. Range -40°C+105°C  
 Stripping length 6mm  
 Max sold. time +250°C for 5 sec

**Dimensions**

Pitch 6,35mm  
 Poles 2÷24

**Material**

Housing PA66UL94V0  
 Pin Copper Alloy, Sn plated  
 Cage Copper Alloy, Ni plated  
 Screws M3 Steel, Zn plated  
 Side Block  
 Nut screw  
 Clamp

**General description of ordering code**

Series	n. Poles	Pitch	Version	Color	Custom
MRS64	2÷24	-6.35	-V		

**Version Date**

01/26 30/01/26



**euro-block**



UNITS: mm

SHEET SIZE: ISO A4

SCALE: 10:1

> 0 ~ 3

> 3 ~ 18

> 18 ~ 50

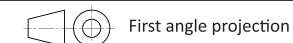
> 50 ~ 120

± 0.12

± 0.15

± 0.3

± 0.5



**MRS64-6.35-V**