

Approvals



Electrical

Rated voltage	450V
Rated current	24A
Contact resistance	20mΩ
Insulation resistance	500MΩ/DC500V
Withstanding voltage	AC1600V/1min
Wire range	26-12 AWG 2,5mm ²

Torque	0,4Nm (3.6Lb in)
Temp. Range	-40°C +105°C
Stripping length	9 mm
Max sold. time	+250°C for 5 sec

Dimensions

Pitch	7,5 mm
Poles	2÷24

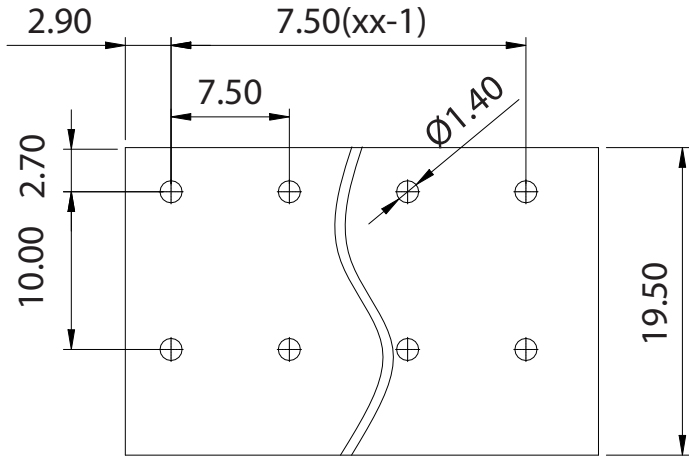
Material

Housing	PA66 UL94V0
Pin	Copper Alloy, Sn plated
Cage	Copper Alloy, Sn plated
Screws	M2,5 steel, Zn plated
Side Block	
Nut screw	
Clamp	

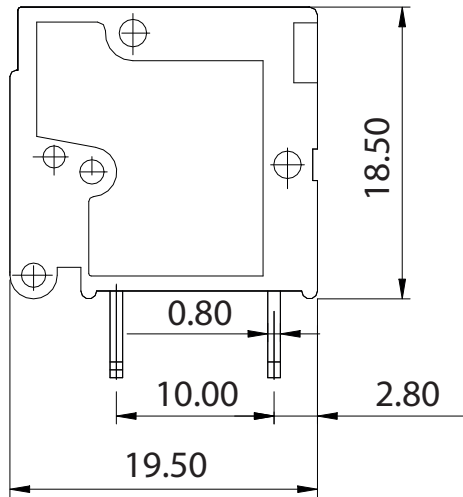
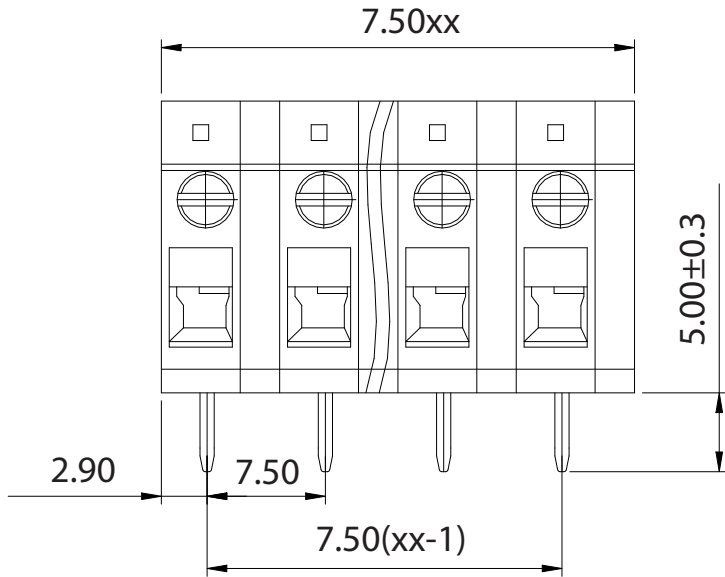
General description of ordering code

Series	n. Poles	Pitch	Version	Color	Custom
MRF52	2÷24	-7.5	-H1		

Version	Date
01/22	24/02/2022



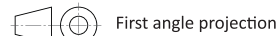
p.c.b. layout



euro-block



linear dimension (Tolerances Standard GB/T 14486-2008)										UNITS: mm			
variable range	to 6	over 6 to 10	over 10 to 30	over 30 to 60	over 60 to 100	over 100 to 160	over 160 to	to 10	over 10 to 100	over 100 to	SCALE: 10:1		
tolerance	±0.20	±0.30	±0.50	±0.70	±1.00	±1.30	±1.60	0.10	0.30	0.60	SHEET SIZE: ISO A4		



MRF52-7.5-H1