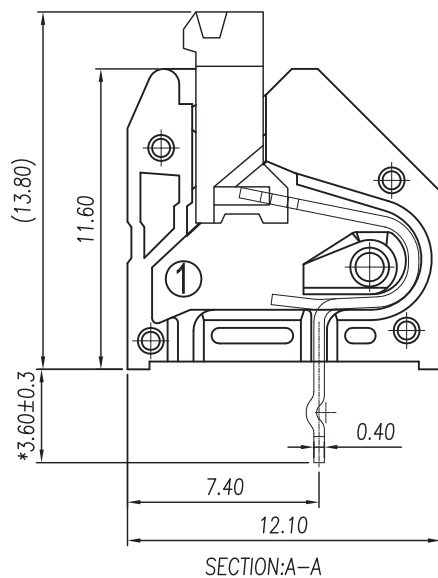
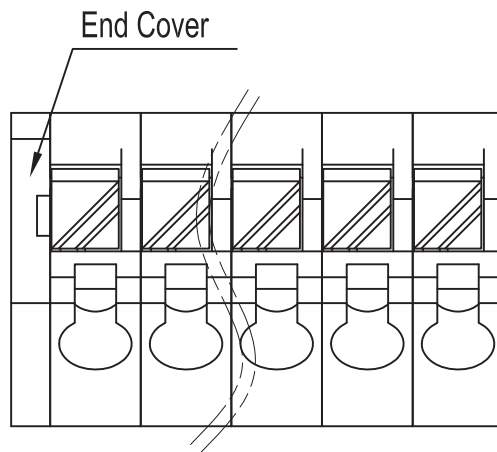
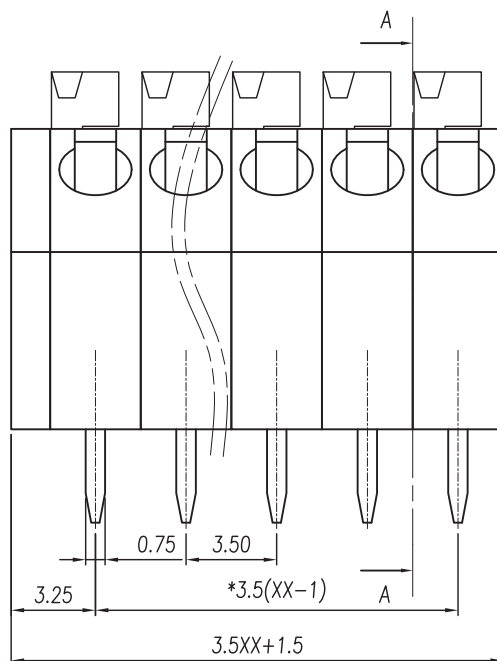


P.C.B. LAYOUT



SECTION: A-A



Approvals



5A-300V

Electrical

Rated voltage	450 V
Rated current	8 AMP
Contact resistance	20 mΩ
Insulation resistance	500 MΩ/DC 500 V
Withstanding voltage	AC 2000 V/1 min
Wire range	1,5 mm ² 22÷16 AWG
Torque	---
Temp. Range	-40°C + 105°C
Stripping length	8 mm
Max sold. time	+250°C for 5 sec.

Dimensions

Pitch	3.5 mm
Poles	1÷xx

Material

Housing	PA66 UL94V0
Pin	Phosphore bronze, Ni plated
Cage	---
Screws	---
Side Block	---
Nut screw	---
Clamp	---

General description of ordering code

Series	n. Poles	Pitch	Version	Color	Custom
MRM1	1÷xx	-3.5	-VA		

Version Date

17/01 25/10/17



euro-block



UNITS: mm

SHEET SIZE: ISO A4

SCALE: 3:1

> 0 ~ 3

> 3 ~ 18

> 18 ~ 50

> 50 ~ 120

± 0.12

± 0.15

± 0.3

± 0.5



First angle projection

MRM1-3.5-VA