

Approvals



Electrical

Rated voltage 300V
 Rated current 20A
 Contact resistance 20mΩ
 Insulation resistance 500MΩ/DC500V
 Withstanding voltage AC1600V/1min
 Wire range 24-12 AWG 2,5mm²

Torque
 Temp. Range -40°C +105°C
 Stripping length 9 mm
 Max sold. time +250°C for 5 sec

Dimensions

Pitch 5 mm
 Poles 2÷24

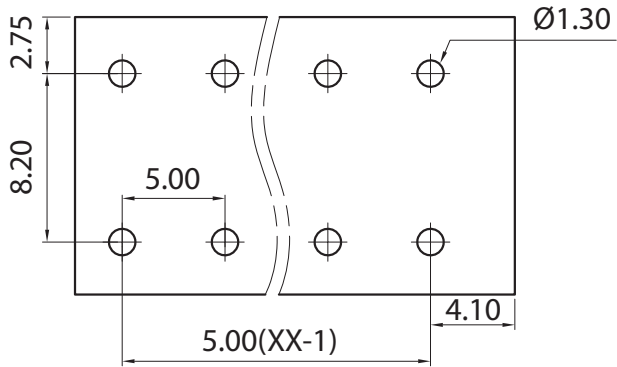
Material

Housing PA66 UL94V0
 Pin Copper Alloy, Sn plated
 Cage Copper Alloy, Sn plated
 Screws
 Side Block
 Nut screw
 Clamp

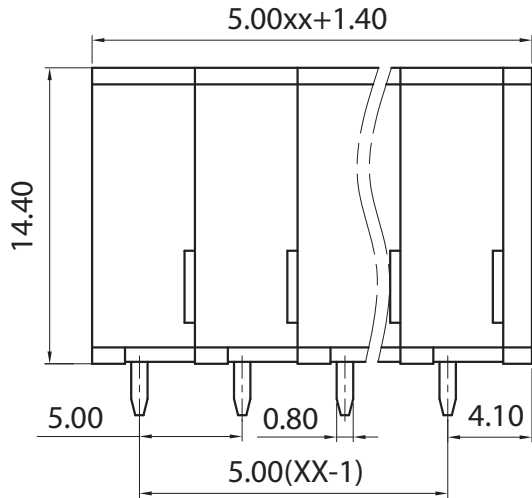
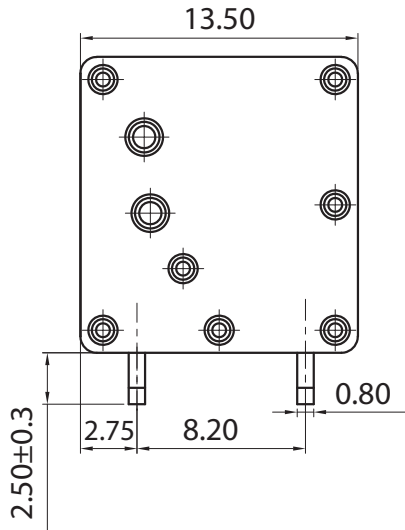
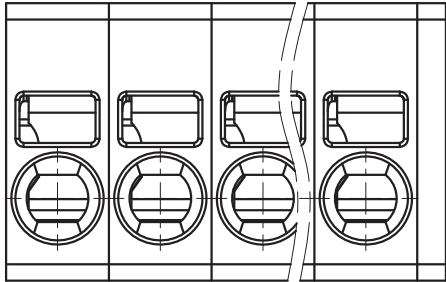
General description of ordering code

| Series | n. Poles | Pitch | Version | Color | Custom |
|--------|----------|-------|---------|-------|--------|
| MFMS | 2÷24 | -5 | -V | | |

Version 21/01 **Date** 07/05/2021



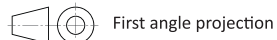
p.c.b. layout



euro-block



| linear dimension (Tolerances Standard GB/T 14486-2008) | | | | | | | | | | UNITS: mm | |
|--|-------|--------------|---------------|---------------|----------------|-----------------|-------------|-------|----------------|-------------|--------------------|
| variable range | to 6 | over 6 to 10 | over 10 to 30 | over 30 to 60 | over 60 to 100 | over 100 to 160 | over 160 to | to 10 | over 10 to 100 | over 100 to | SCALE: 10:1 |
| tolerance | ±0.20 | ±0.30 | ±0.50 | ±0.70 | ±1.00 | ±1.30 | ±1.60 | 0.10 | 0.30 | 0.60 | SHEET SIZE: ISO A4 |



MFMS-5-V