

Approvals



65A-600V

Electrical

Rated voltage IEC 630V
 Rated current IEC 76A
 Contact resistance 20mΩ
 Insulation resistance 500MΩ/DC500V
 Withstanding voltage AC2200V/1min
 Wire range 20-6 AWG 10mm²

Torque 1,2Nm (10.5Lb in)
 Temp. Range -40°C +105°C
 Stripping length 10 mm
 Max sold. time +250°C for 5 sec

Dimensions

Pitch 12,70 mm
 Poles 2÷16

Material

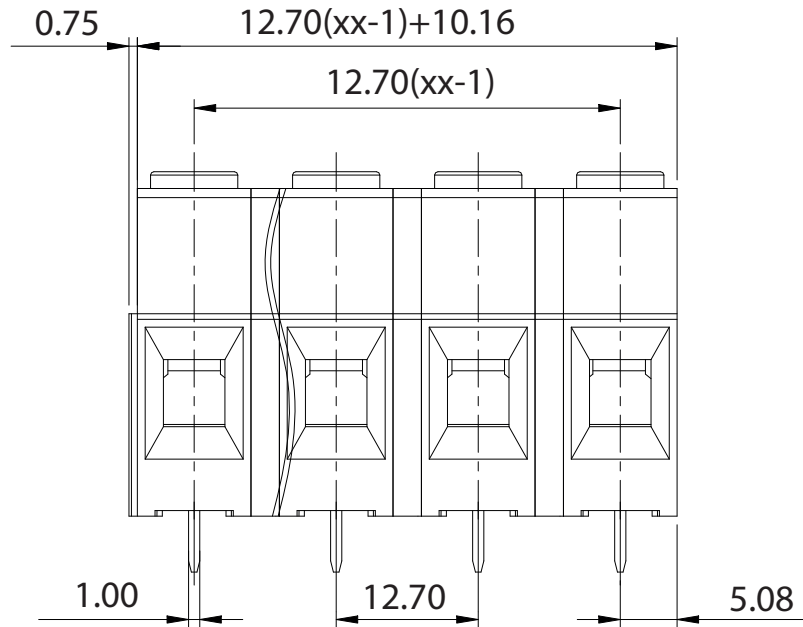
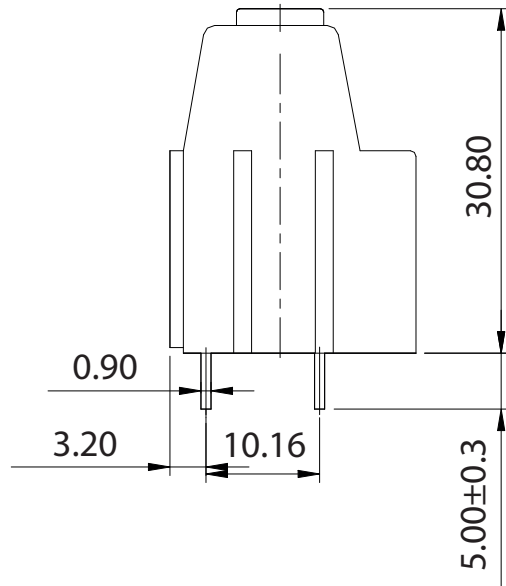
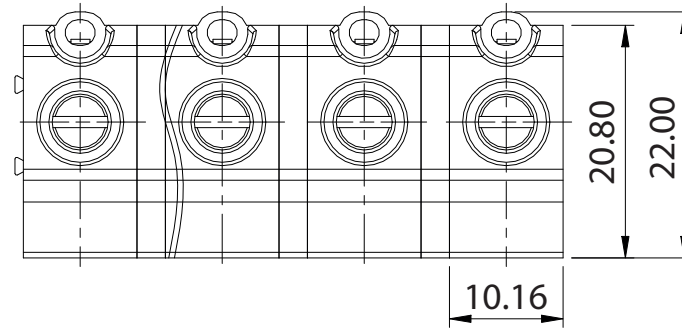
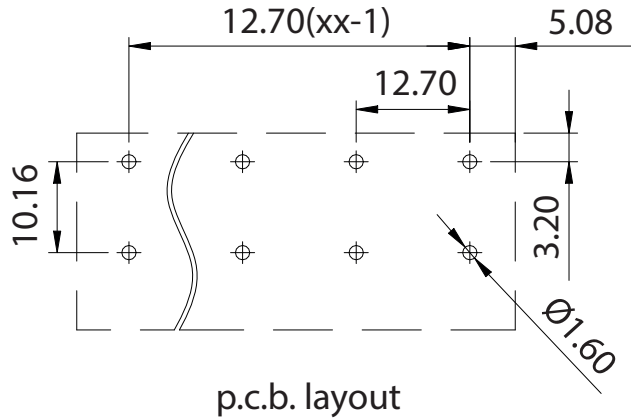
Housing PA66 UL94V0
 Pin Copper Alloy, Sn plated
 Cage Copper Alloy, Sn plated
 Screws M4 steel, Zn plated
 Side Block
 Nut screw
 Clamp

General description of ordering code

Series	n. Poles	Pitch	Version	Color	Custom
MRP10	2÷16	-12.70	-V		

Version Date

01/26 30/01/26



euro-block



linear dimension (Tolerances Standard GB/T 14486-2008)										UNITS: mm			
variable range	to 6	over 6 to 10	over 10 to 30	over 30 to 60	over 60 to 100	over 100 to 160	over 160 to	to 10	over 10 to 100	over 100 to	SCALE: 10:1		
tolerance	±0.20	±0.30	±0.50	±0.70	±1.00	±1.30	±1.60	0.10	0.30	0.60	SHEET SIZE: ISO A4		



First angle projection

MRP10-12.70-V