



ON SHINE

昂欣 企業有限公司

ON SHINE ENTERPRISE CO.,LTD.

11F-6. NO 880. CHUNG CHENG ROAD

CHUNG HO CITY TAIPEI TAIWAN

TEL:886-2-82281766 FAX:886-2-82281785

http://:www.onshine.com.tw

RX MODULE

Low operating temperature

MODELNO:RXA12L-xxxMHz

REV.NO.:1

The Module's Frequency is From UHF ASK 280~433.92MHz.

High sensitivity Passive Design.

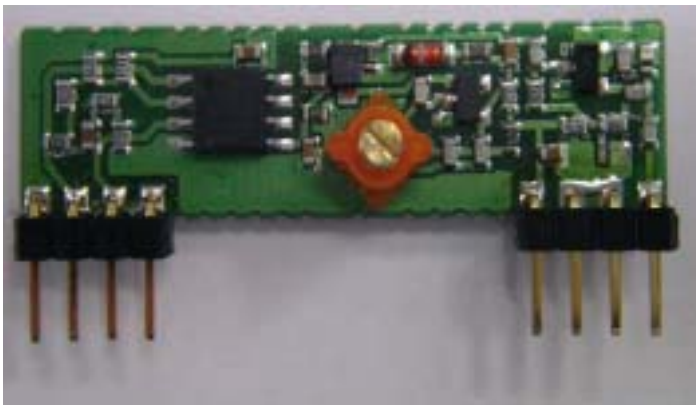
4800 B/S Baseboard Data Rate.

Simple To Apply With Low External Parts Count.

Low Supply Voltage : Vcc = 5 Vdc

ASK Data Shaping Comparator Included.

General description



The RXA12L is a miniature receiver module that receives On-off keyed (OOK) modulation signal and demodulated to digital signal for the next decoder stage. Local Oscillator is made of L/C structure ..The result is excellent performance in a simple-to-use.

The RXA12L is designed specifically for licensed remote-control and wireless security receiver operating at 315/434MHz in the USA under FCC Part 15 regulation


Application

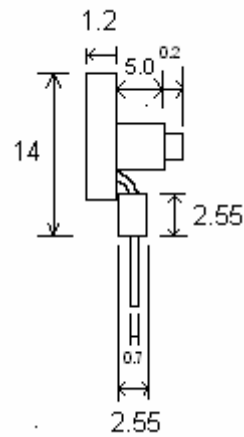
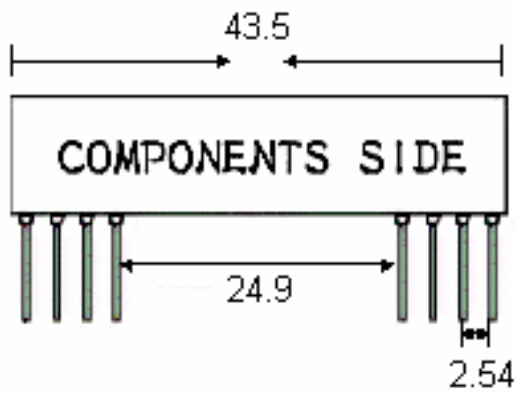
- Home security systems
- Car Alarm systems
- Remote gate controls
- Sensor reporting

A.SPECIFICATION

ITEM NO	PARAMETER	DESCRIPTION	VALUE			
			MIN	TYP	MAX	UNIT
1.	Operating Radio Frequency		280~433.92			MHz
2.	Sensitivity	Vcc5.0,AT25C BER=3/100	-103	-105		dBm
3.	Modulation			ASK		
4.	Power Supply		4.75	5	5.25	v
5.	Supply Current			4.8	5.5	mA
6.	Data Rate			1		Kbps
7.	Operating Temperature		-40		+85	
8.	Storage Temperature		-40		+85	
9.	RF Bandwidth-3dB			4		MHz

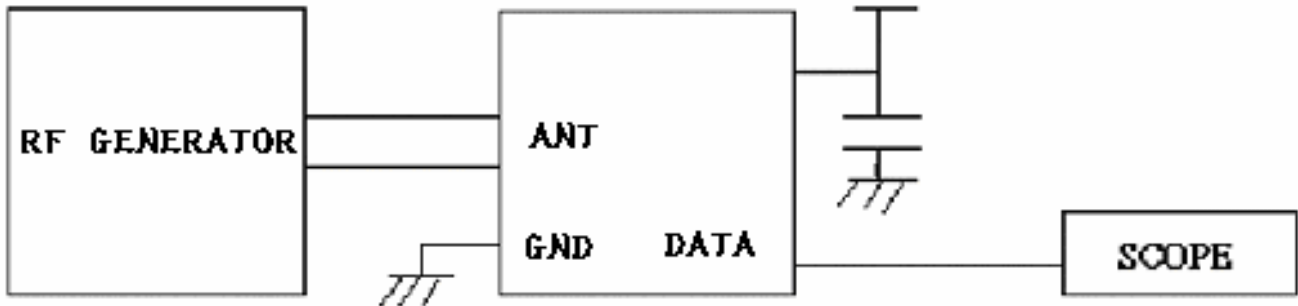
B.DIMENSION

PIN	Connections	<p style="text-align: right;">TOP VIEW</p> 
1	GND	
2	DIGITAL OUTPUT	
3	LINEAR OUTPUT	
4	VCC	
5	VCC	
6	GND	
7	GND	
8	ANT	

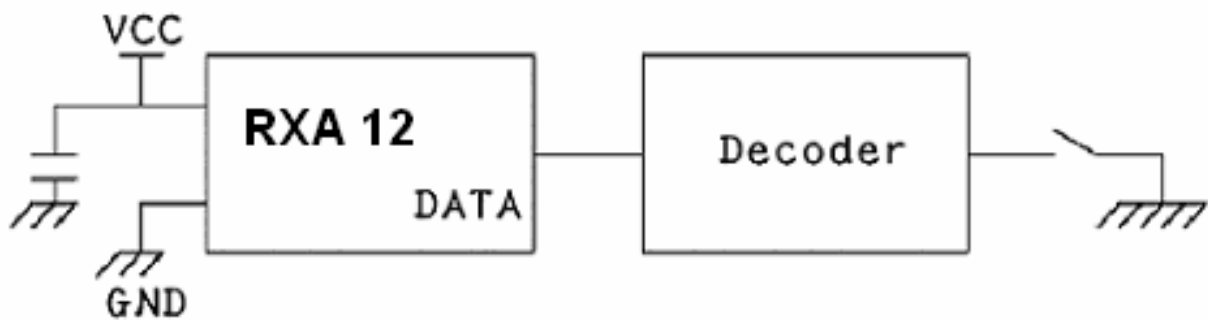


UNIT : mm

C. TYPING TEST CIRCUIT



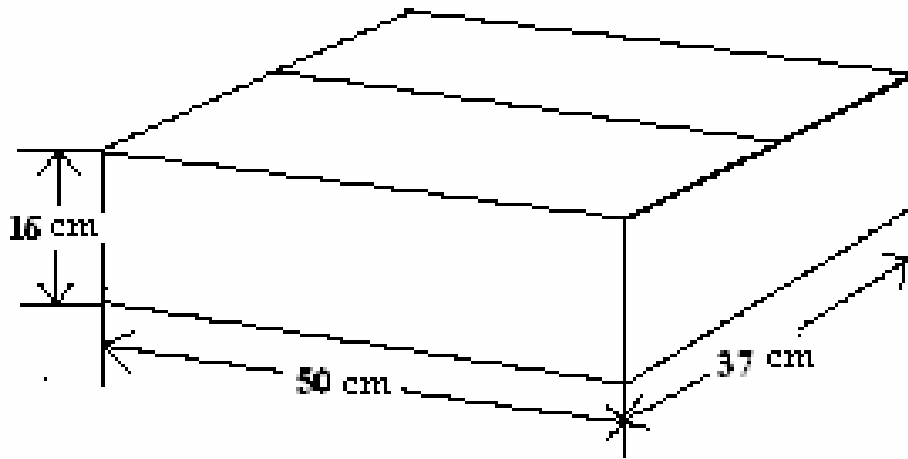
D. TYPICAL RECEIVER APPLICATION



Notes:

1. Encoder : HT12D/F , PTC (2262)
2. Antenna : Length = 22.6cm for 315MHz

E. Packing



Unit: 1000pcs / a box